



DETAILED PERFECTION FOR EVERY APPLICATION

# MODEL VEHICLES



**SCANIA**

# MODEL VEHICLES

Scania pride doesn't end when the working day is over. So wherever you are, and whatever you're doing, let your Scania pride shine through.

Scale 1:50 model vehicles are metal scale models of highest quality. Scale 1:87 model vehicles are detailed plastic or metal models. Collector's items. Not suitable for children under 14 years. Model vehicles Scale 1:16, 1:25 are detailed plastic models. Not suitable for children under 36 months of age as small parts could be inhaled or swallowed.



**Scania S 730 V8**

Scania S 730 V8 8x4/4 heavy haulage tractor with low-bed semitrailer. Manufactured by WSI. Scale 1:50

**No. 2657315**



**Scania R 650 V8**

Scania R 650 V8 6x4 timber truck with drawbar trailer. Manufactured by Tekno. Scale 1:50

**No. 2657317**



**Scania R 580 V8**

Scania R 580 V8 6x4 tractor with tipper semitrailer. Manufactured by Tekno. Scale 1:50

**No. 2657319**



**Scania G 410**

Scania G 410 6x2\*4 temp controlled box and centre axle trailer.  
Manufactured by WSI. Scale 1:50

**No. 2657316**



**Scania R 500**

Scania R 500 4x2 tractor with bulk silo semitrailer.  
Manufactured by Tekno. Scale 1:50.

**No. 2560938**



**Scania R 730 V8**

Scania R 730 V8 6x2 rigid truck with drawbar trailer 25,25.  
Manufactured by Tekno. Scale 1:50.

**No. 2560942**



**Scania R 500 (RHD)**

Scania R 500 6x2/2 RHD tractor with curtainside semitrailer. Manufactured by Tekno. Scale 1:50.

**No. 2560946**



**Scania R 450**

Scania R 450 4x2 tractor with vehicle transport semitrailer. Manufactured by WSI. Scale 1:50.

**No. 2560956**



**Scania R 450**

Scania R 450 4x2 tractor with walking floor semitrailer.  
Manufactured by Tekno. Scale 1:50.

**No. 2560944**



**Scania R 450**

Scania R 450 4x2 tractor with grain transport  
semitrailer. Manufactured by Tekno. Scale 1:50.

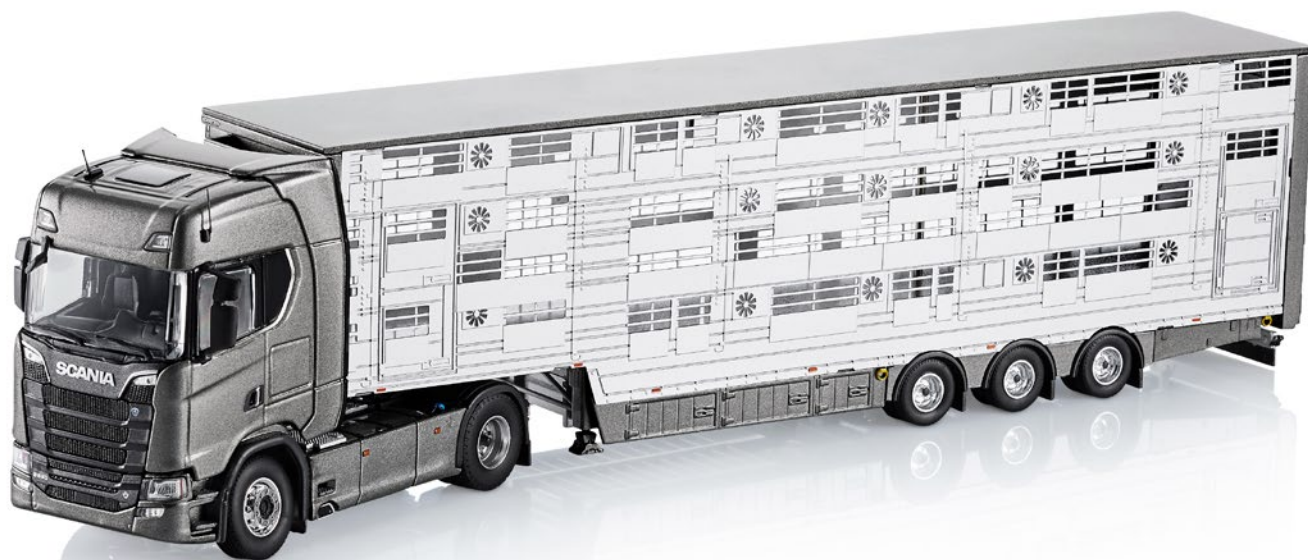
**No. 2560947**



**Scania S 410**

Scania S 410 4x2 tractor with volume transport semitrailer.  
Manufactured by Tekno. Scale 1:50.

**No. 2560943**



**Scania S 520**

Scania S 520 4x2 tractor with live stock semitrailer.  
Manufactured by Tekno. Scale 1:50.

**No. 2560941**



**Scania S 730 V8**

Scania S 730 V8 4x2 tractor in display case.  
Manufactured by Tekno. Scale 1:50.

**No. 2560948**



**Scania S 410**

Scania S 410 4x2 tractor with tank semitrailer.  
Manufactured by Tekno. Scale 1:50.

**No. 2560939**

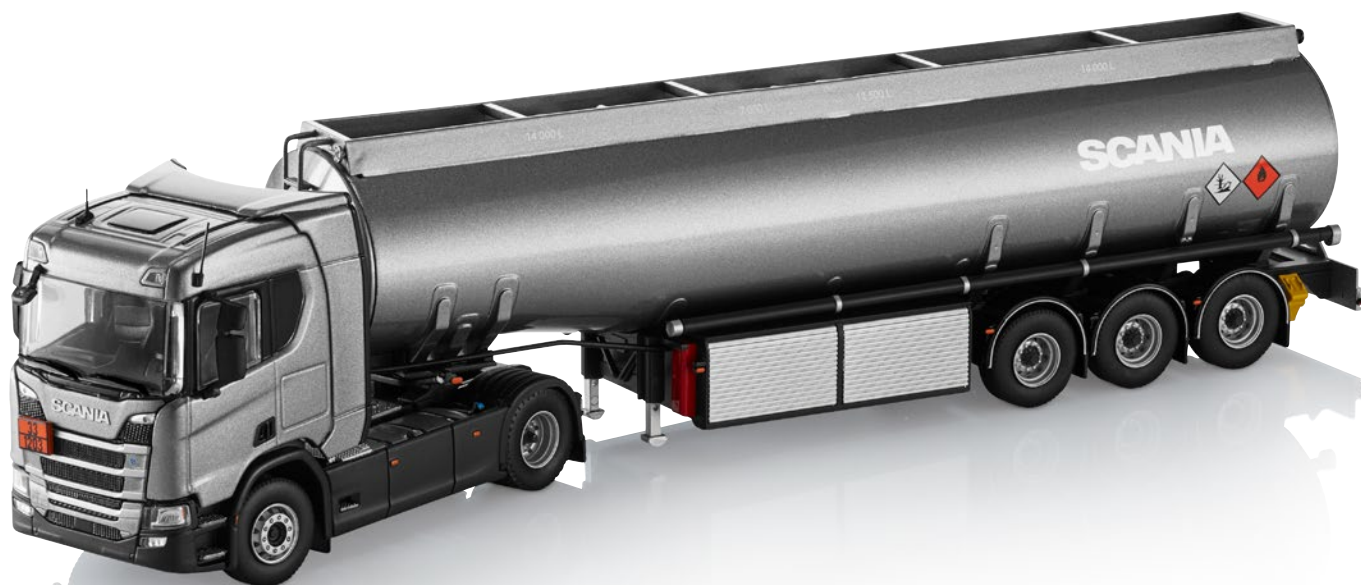




**Scania S 580 V8**

Scania S 580 V8 6x2 tractor with temperature controlled semitrailer. Manufactured by Tekno. Scale 1:50.

**No. 2560945**



**Scania R 410**

Scania R 410 4x2 tractor with fuel tank semitrailer. Manufactured by Tekno. Scale 1:50.

**No. 2560940**



**Scania P 360**

Scania P 360 4x2 Scania CrewCab. Rescue Vehicle.  
Manufactured by Tekno. Scale 1:50.

**No. 2203098**



**Scania P 410**

Scania P 410 8x4 Liebherr crane.  
Manufactured by WSI.  
Scale 1:50.

**No. 2560955**



**Vintage Car**

"Eriksson roadster" 1897. Scale 1:50.

No. 1857457



**Vintage Truck**

Vabis 1902. Scale 1:50.

No. 1857455



**Vintage Truck**

"Fryken" 1928. Scale 1:50.

No. 1857454



**Vintage bus 1911**

Scale 1:50.

No. 1857456

**Scania Citywide LF**  
Scale 1:50.  
No. 1599635



**Scania Touring HD**  
Scale 1:50.  
No. 2030227



**Scania Irizar PB**  
Scale 1:50.  
No. 2274640





**Scania S 730 V8**

Scania S 730 V8 8x4/4 heavy haulage tractor with low-bed semitrailer. Manufactured by Herpa. Scale 1:87

**No. 2657321**



**Scania R 500**

Scania R 500 4x2 tractor with tipper semitrailer. Manufactured by Herpa. Scale 1:87.

**No. 2657322**



**Scania R 650 V8**

Scania R 650 V8 4x2 tractor in display case. Manufactured by Herpa. Scale 1:87.

**No. 2657323**



**Scania R 500**

Scania R 500 6x2/2 tractor with telescopic semitrailer.  
Manufactured by Herpa. Scale 1:87.

**No. 2657324**



**Scania G 280**

Scania G 280 4x2 truck with box body and tail lift.  
Manufactured by Herpa. Scale 1:87.

**No. 2778068**



**Scania G 500**

Scania G 500 6x6 tipper truck with tipper trailer.  
Manufactured by Herpa. Scale 1:87.

**No. 2778069**



**Scania S 730 V8**

Scania S 730 V8 4x2 tractor in display case.  
Manufactured by Herpa. Scale 1:87.

**No. 2560949**



**Scania S 450**

Scania S 450 4x2 tractor with temperature controlled semitrailer.  
Manufactured by Herpa. Scale 1:87.

**No. 2560950**



**Scania S 500**

Scania S 500 4x2 tractor with tank semitrailer.  
Manufactured by Herpa. Scale 1:87.

**No. 2560951**



**Scania R 450**

Scania R 450 4x2 tractor with box semitrailer. Recommended age: from 3 years. Manufactured by EMEK. Scale 1:25.

Size: 60 × 12 × 16 cm.

**No. 2778736**



**Scania G 450**

Scania G 450 8x4\*4 with hook lift. Recommended age: from 3 years. Manufactured by EMEK. Scale 1:25.

Size: 37 × 12 × 14.5 cm.

**No. 2778737**





**Scania G 500**

Scania G 500 6x4 tipper truck with tipper trailer. Recommended age: from 3 years. Manufactured by EMEK. Scale 1:25.

Size: 62 × 12 × 13.5 cm.

No. 2778738



**Scania R 410**

Scania R 410 6x2 truck with box body and tail lift. Recommended age: from 3 years. Manufactured by EMEK. Scale 1:25.

Size: 38 × 12 × 16 cm.

No. 2778739



**Scania S 650**

Scania S 650 6x4 tractor with low-bed semitrailer loaded with an excavator. Recommended age: from 3 years. Manufactured by EMEK. Scale 1:25.

Size: 68 × 12 × 15 cm.

**No. 2778740**



**Scania R 730 V8**

Scania R 730 V8 6x4 timber truck with drawbar trailer. Recommended age: from 3 years. Manufactured by EMEK. Scale 1:25.

Size: 78 × 12 × 16 cm.

**No. 2560954**



**Scania R 450**

Scania R 450 4x2 tractor with tank semitrailer. Recommended age: from 3 years. Manufactured by EMEK. Scale 1:25.

Size: 54 × 12 × 15 cm.

No. 2560953



**Scania S 410**

Scania S 410 4x2 tractor with box semitrailer. Recommended age: from 3 years. Manufactured by EMEK. Scale 1:25.

Size: 61 × 12 × 16 cm.

No. 2560952



**Scania R 560 V8**

Scania R 560 V8 6x4 low loader with Caterpillar bulldozer. Doors can be opened. Fold-down loading ramps. Recommended age from 3 years. Manufactured by Bruder. Scale 1:16.

Size: 86.5 × 18.5 × 26 cm.

No. 2032294



**Scania R 560 V8**

Scania R 560 V8 8x4 tipper. Doors can be opened. Tipper body. Tail gate can be opened. Recommended age from 3 years. Manufactured by Bruder. Scale 1:16.

Size 54 × 18.5 × 24.3 cm.

No. 2032292

**Scania R 560 V8**

Scania R 560 V8 8x4 concrete mixer. The drum of the mixer can be filled with sand, just use the pull out crank to empty the drum just like in real life. Two attachable run-out plates are included. Recommended age: from 3 years. Manufactured by Bruder.

Scale 1:16.

Size: 54 × 18.5 × 24.3 cm.

No. 2032293

**Scania R 560 V8**

Scania R 560 V8 6x4 refuse collector. This is a fully functional garbage truck with loader just like the real one. Just turn the mechanism and you can see all your garbage through the inspection window. Two garbage bins are included. Easy access for empty the garbage. Recommended age: from 3 years. Manufactured by Bruder. Scale 1:16.

Size: 62 × 18.5 × 26.5 cm.

No. 2032295



**Scania R 560**

Scania R 560 V8 6x4 hook-lift truck with side doors and rear container doors that open. The container can be lowered and dropped off from the rear. Recommended age: from 3 years. Manufactured by Bruder. Scale 1:16.

Size: 53.5 × 19 × 20.5 cm.

**No. 2421716**



**Scania R 560 V8**

Scania R 560 V8 6x4 timber truck with loading crane and 3 logs. Doors can be opened. The platform can be tilted towards the rear. Fold-down stakes. The crane arm can pivot 360°, telescoped and locked in numerous positions. Extending and lowering side supports for stabilising the loading crane. Log grabber with automatic closing. Height-adjustable stake chains for load securing. Recommended age: from 4 years. Manufactured by Bruder. Scale 1:16.

Size: 54.5 × 19 × 27 cm.

**No. 2421717**



